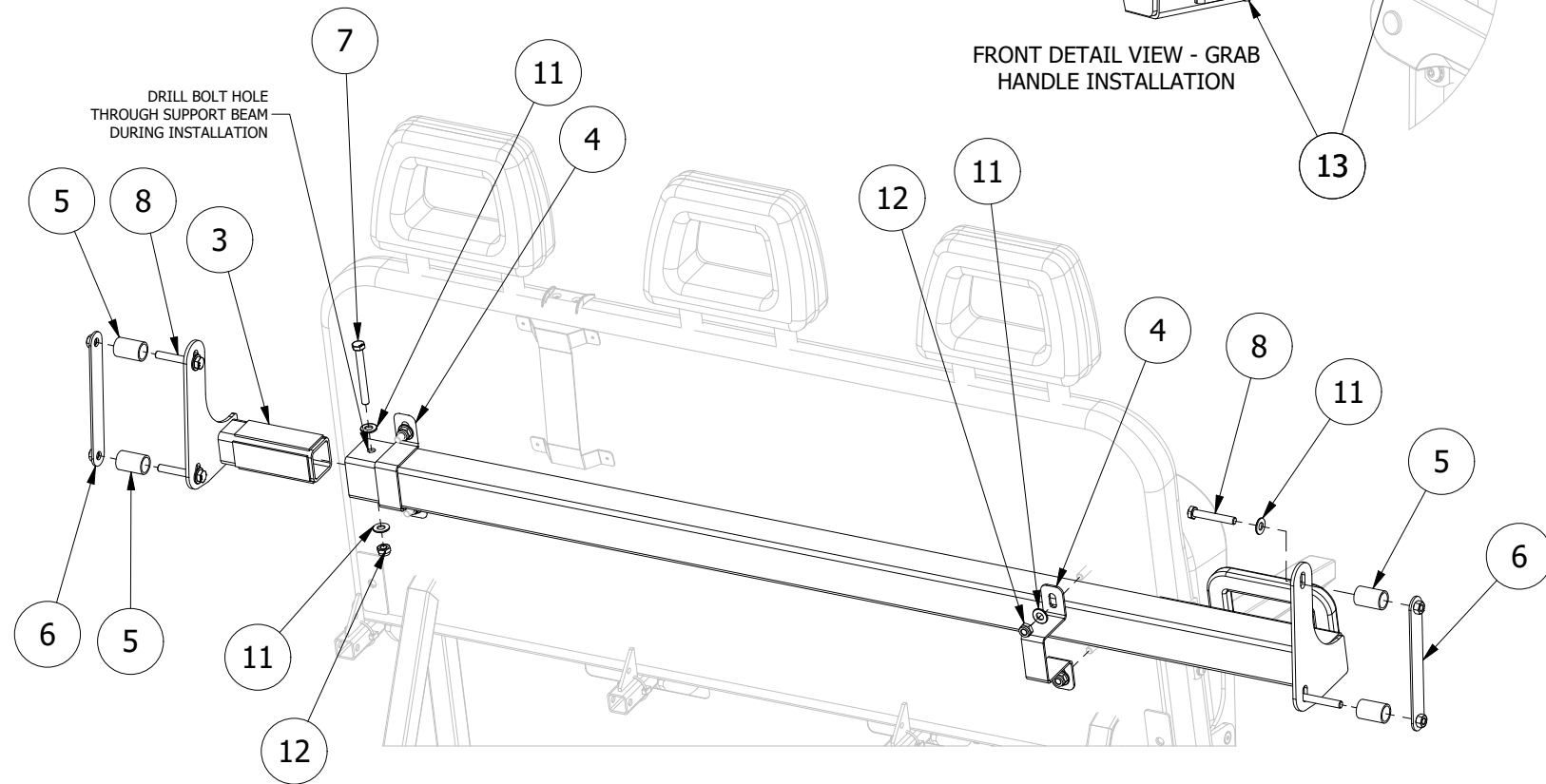
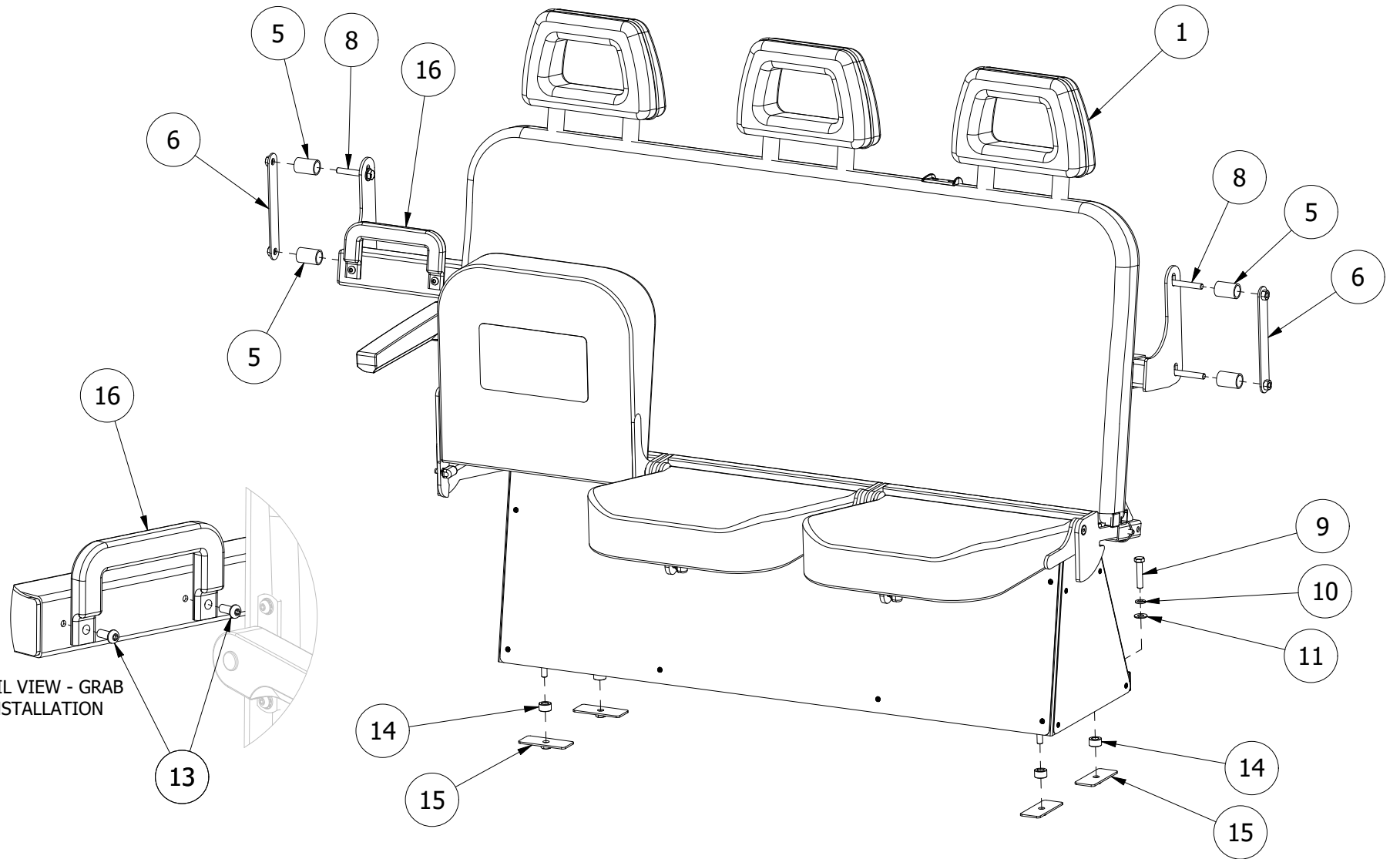



ITEM NO.	PART NO.	QTY.	DESCRIPTION	PACKED BY
1	TSA1137	1	3 SEATER REAR FACING ASSEMBLY - REMOVABLE BASE TYPE	
2	TS1133	1	CRASH FRAME SUPPORT BEAM - PASSENGER SIDE	
3	TS1134	1	CRASH FRAME SUPPORT BEAM - DRIVER SIDE	
4	TS1132-03	2	SADDLE BRACKET	
5	TS1132-02	4	26.9x2.6 CHS - 40 LONG	
6	TS1132-04	2	BACKING PLATE WELDMENT	
7	10X90M 88 ZPSS	1	M10 x 90mm HEX HEAD SET SCREW	
8	10X65M 88 ZPSS	4	M10 x 65mm HEX HEAD SET SCREW	
9	10X50M 88 ZPSS	4	M10 x 50mm HEX HEAD SET SCREW	
10	10M SW	4	M10 SPRING WASHER	
11	10M ZPW	14	M10 FLAT WASHER	
12	10M NYLN	5	M10 NYLOC NUT	
13	8X20M BSS	2	M8 x 20mm BUTTON HEAD SET SCREW	
14	TS533A	4	SPACER Ø22.2 x 12.6mm - BLACK	
15	TS371	4	M10 UNDERFLOOR PLATE 95 X 40	
16	-	1	TOYOTA HIACE HANDLE	
17	-	1	FITTING INSTRUCTIONS	



REAR VIEW - SUPPORT BEAM INSTALLATION

INSTALLATION NOTES:

1. Remove OEM handrail. Pull back passenger side plastic trim and remove trim locating clips.
2. Pilot drill through from inside, using clip holes as location guides.
3. Holesaw clearance hole using pilot holes as locators.
4. Drill out clip holes to 11mm.
5. Pull back driver side trim and repeat drilling process, as per passenger side.
6. Bolt driver side of cross bar into place first. The backing plate is inserted into position through the cutout at the bottom of the B-pillar.
7. Remove electrical contact in sliding door. The passenger side backing plate is inserted into position through this B-pillar hole.
8. Bolt the rest of the cross beam into position. After torquing all mounting bolts, site drill for the M10x90mm bolt to join the 2 halves.
10. Position the seat assembly approximately 40mm from the vehicle wall to edge of the seat base foam. Tighten the mounting clamps.
11. Drill 4 x holes in the vehicle floor, using seat frame as a guide and secure using the supplied bolts and plates.
12. Reattach the OEM handrail (removed at step 1) to the support beam near the sliding door using the supplied bolts.

		WEIGHT N/A		DWG SIZE A3		PROPRIETARY AND CONFIDENTIAL		 1-3 Aerial Close HERVEY BAY QLD 4655 PH 07 4128 3337 FAX 07 4128 2060 email: technical@techsafeseating.com.au web: techsafeseating.com.au		PROJECT H300 (2019+) HIACE COMMUTER	
		TOLERANCES: LINEAR ±1mm ANGULAR ±0.5		DIMENSIONS ARE IN MILLIMETERS UNLESS OTHERWISE SPECIFIED		THE INFORMATION CONTAINED IN THIS DRAWING IS THE SOLE PROPERTY OF TECHSAFE. ANY REPRODUCTION IN PART OR AS A WHOLE WITHOUT THE WRITTEN PERMISSION OF TECHSAFE IS PROHIBITED.		DRAWN GJH 8/09/2020		TITLE REAR FACING TRIPLE SEAT INSTALLATION (REMOVABLE BASES)	
0 INITIAL RELEASE		GJH 8/09/2020		DO NOT SCALE DRAWING		ENG APPR.		MFG APPR.		DRAWING No. PK160	
REV	DESCRIPTION	BY	DATE							DRAWING TYPE PACKING KIT	
										SHEET NO. 1 of 1	